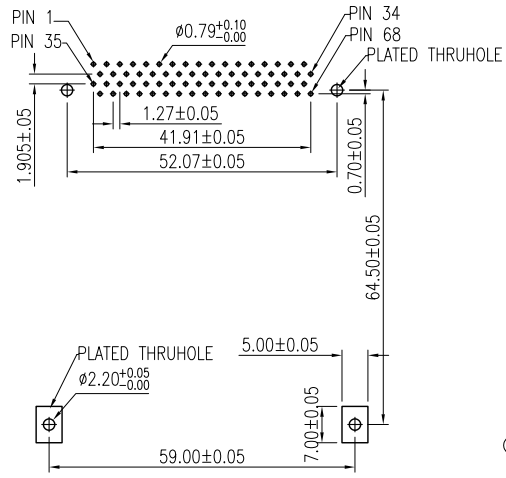
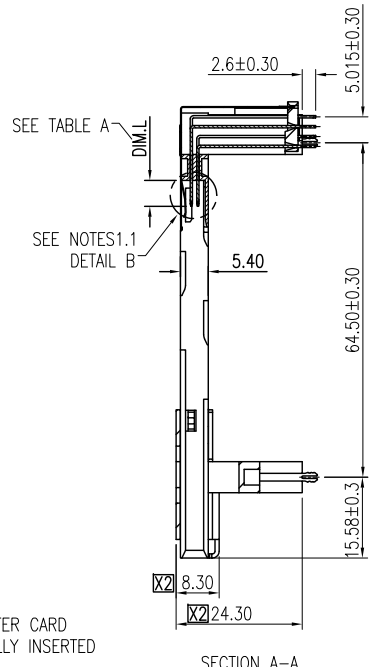
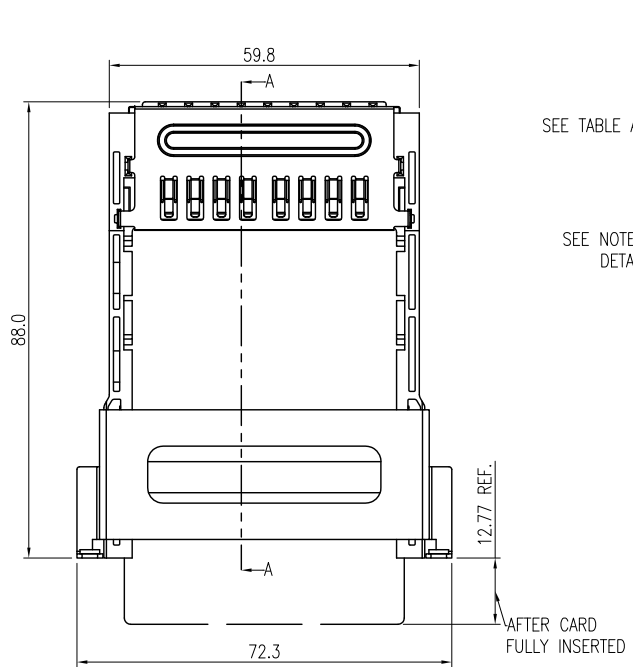


REV.	ECN. NO.	DESCRIPTION	APR.	DATE
X1	DCN201308201	NEW RELEASE	PAT	2013-08-17
X2	DCN201308202	ADD DIMENSION	PAT	2013-08-23
X3	DCN201309202	MODIFY PLATING	PAT	2013-09-26



PART. NUMBER

PCR-2A 68 - P K X 0 - T_0
 ① ② ③④⑤⑥ ⑦

- ① CONNECTOR:
PCR-2A: PCMCIA CARD BUS CONN,THK.24.3MM
- ② POSITION:
68: 68 POSITIONS
- ③ INSULATOR MATERIAL:
P: PBT
- ④ INSULATOR COLOR:
K: BLACK
- ⑤ CONTACT PLATING:
1: GOLD FLASH
3: GOLD 5u"
5: GOLD 15u"
- ⑥ SHIELD PLATING
0: NO SHIELD
- ⑦ PACKING
T: TRAY

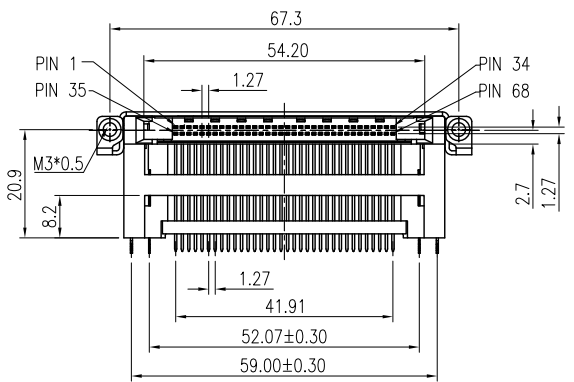

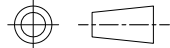
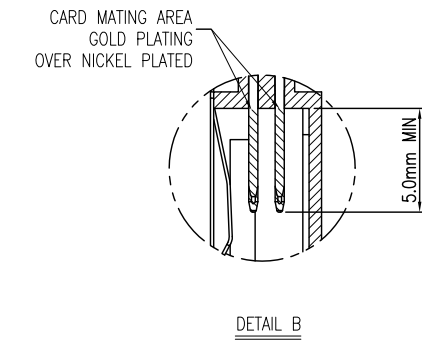
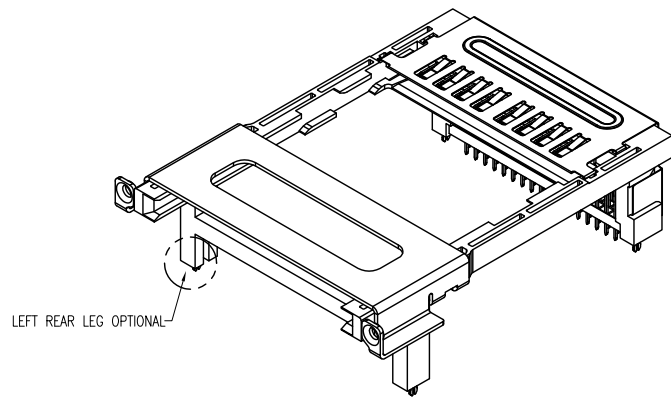


TABLE A

PIN TYPE	DIM.L±0.20	PIN NUMBER
DETECT	3.50mm	36,67
GENERAL	4.25mm	THE REST
POWER	5.00mm	1,17,34,35,51,68

RoHS Compliant

DIMENSION IN mm		 CHINA ZUANBAO ELECTRONICS CO.,LTD.		PCMCIA CARD BUS CONNECTOR			
GENERAL TOLERANCES (UNLESS SPECIFIED)				TITLE.	PCR-2A68-PKX0-T0		
.X ±0.38	X.* ±3.0°	APR.		PART NO.	PCR-2A68-PKX0-T0	DWG NO.	ZB-0D0005
.XX ±0.20	.X.* ±2.0°	CHK.		SIZE.	A3	SHEET	1 / 2
.XXX ±0.10	.XX.* ±1.5°	DRA.	Pat 2013-09-26	SCALE.	1 : 1	REV.	X3
CUSTOMER							



NOTES:

1.MATERIAL:

HOUSING:PBT+30%GF UL94V-0,BLACK.
 GUIDER:PBT+30%GF UL94V-0,BLACK.
 TERMINAL:BRASS.
 BOARD LOCK:PHOSPHOR BRONZE.
 BRACKET:SUS430.
 EMI/ESD CONTACT:PHOSPHOR BRONZE.

1.1.PLATING:

TERMINAL:GOLD PLATED ON CARD MATING AREA(SEE DETAIL A)
 TIN 60u"Min.PLATING SOLDER AREA.
 OVERALL Ni 40u"Min.UNDER PLATING.
 BOARD LOCK:GOLD FLASH ON CONTACT AREA
 TIN 60u"Min.PLATING ON SOLDER AREA.
 OVERALL Ni 40u"Min.UNDER PLATING.
 ☒ EMI/ESD CONTACT:GOLD FLASH ON CONTACT AREA
 OVERALL Ni 40u"Min.UNDER PLATING.

2.MECHANICAL SPEC:

(A) TOTAL INSERTION FORCE
 STANDARD:39.2N max.
 (B) TOTAL PULLING FORCE
 STANDARD:6.67N min.and 39.2N max.

3.ELECTRICAL SPEC:

(A)THE SOCKET IS FOR3.3V AND 5V PC CARD.
 (B)CONTACT RESISTANCE
 STANDARD:INITIALLY 40mohms max.
 AFTER TEST 20mohms max.CHANGE.
 (C)WITHSTANDING VOLTAGE
 STANDARD:NO SHORTING OR OTHER DAMAGES WHEN
 500V rms AC IS APPLIED FOR 1 MINUTE
 CURRENT LEAKAGE 1 mA max.
 (D)INSULATION RESISTANCE
 STANDARD:INITIALLY 1000Mohms min.
 AFTER TEST 100Mohms min.

4.RoHS 6/6 COMPLIANT.

5.COMPATIBILITY FOR TYPE I,II III PC CARDS.

6.COMPLIANCE TO PC CARD STANDARD
 RELEASE 5.0_1995 TO RELEASE 8.0_2001.

PART NO.	PCR-2A68-PKX0-T0	SHEET	2 / 2
DWG NO.	ZB-0D0005	REV.	X3